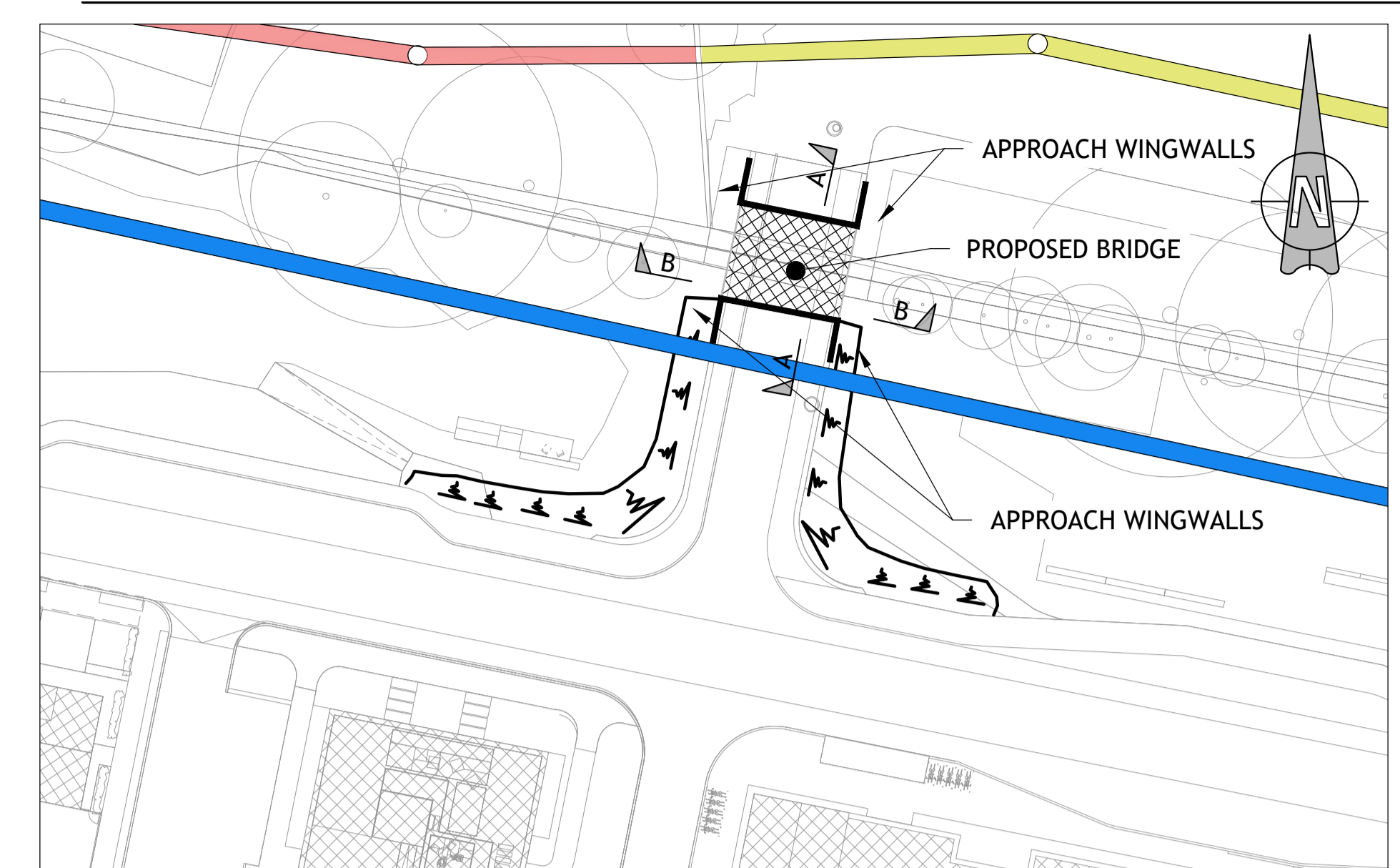
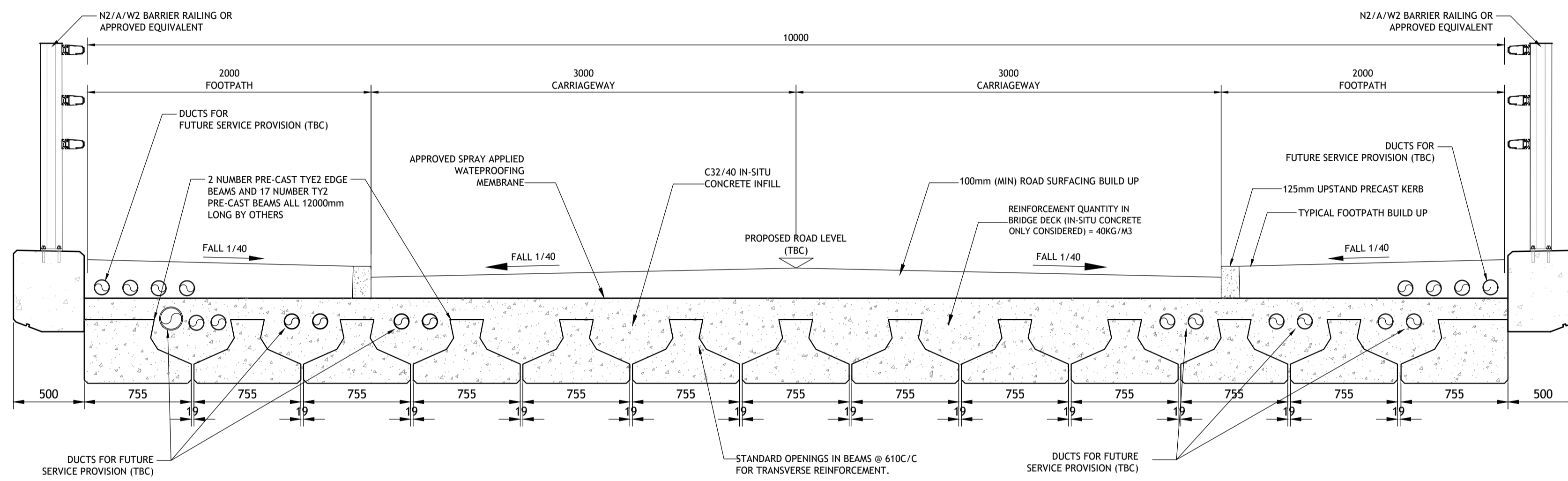


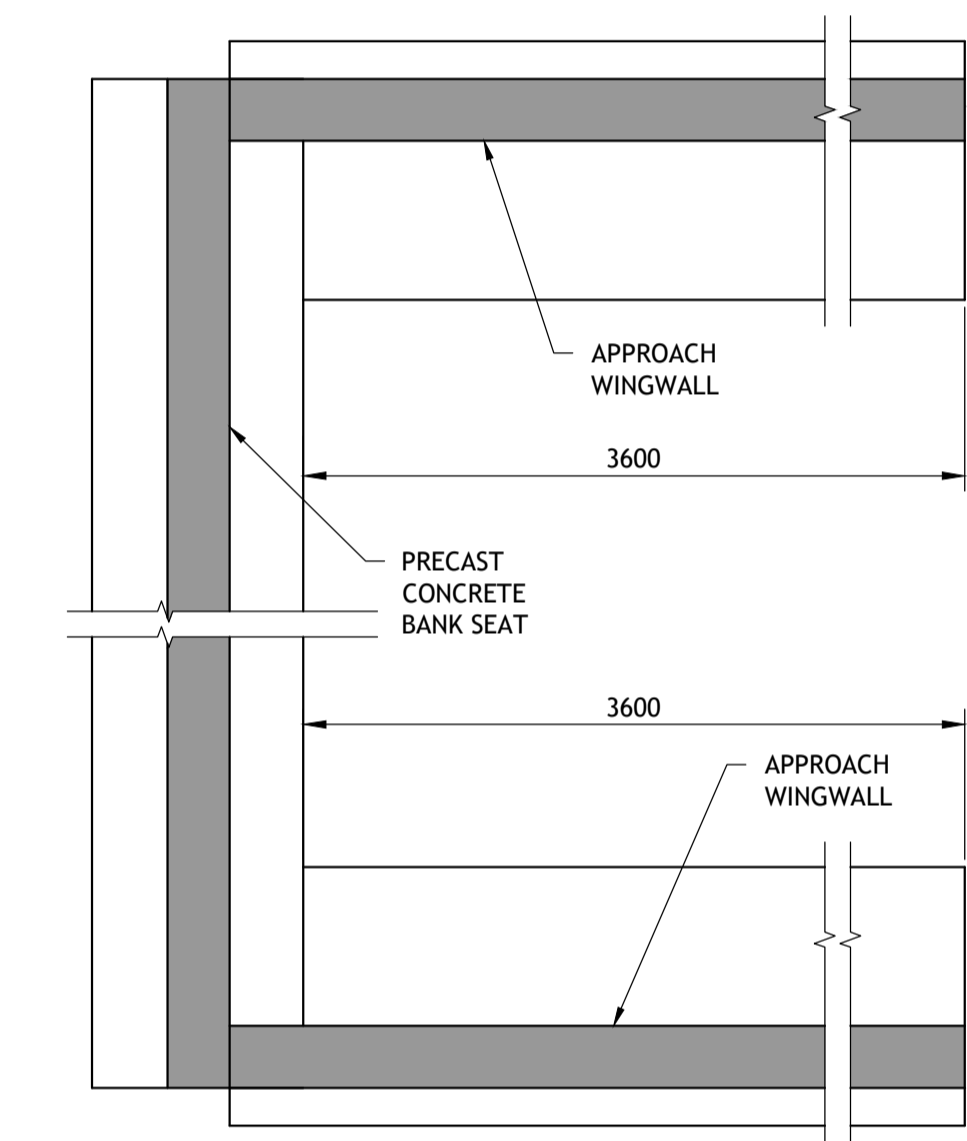
SECTION A-A
SECTION CENTRAL ON PROPOSED BRIDGE
SCALE 1:50



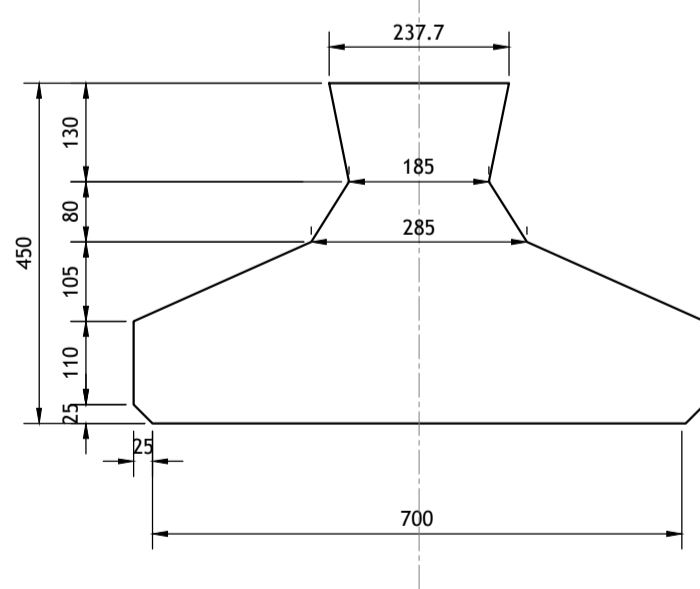
LOCATION PLAN OF PROPOSED BRIDGE
SCALE 1:500



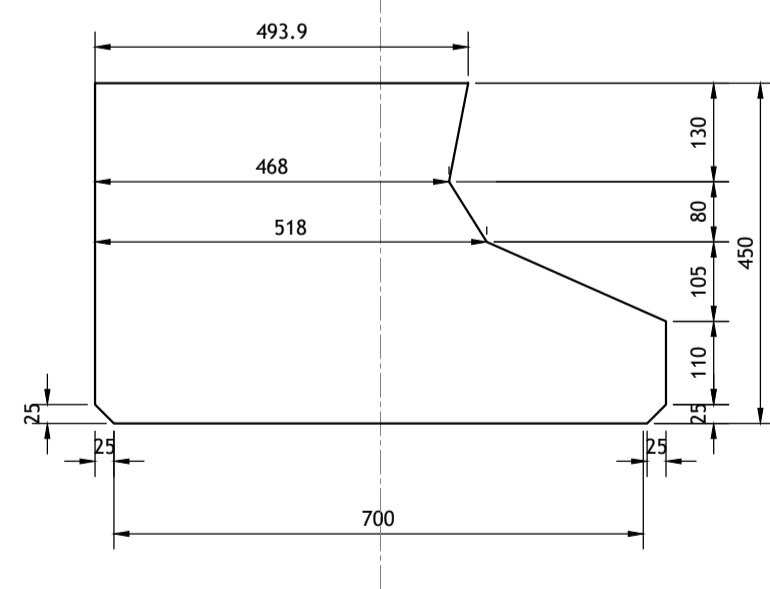
SECTION B-B
CROSS SECTION ON PROPOSED BRIDGE
SCALE 1:25



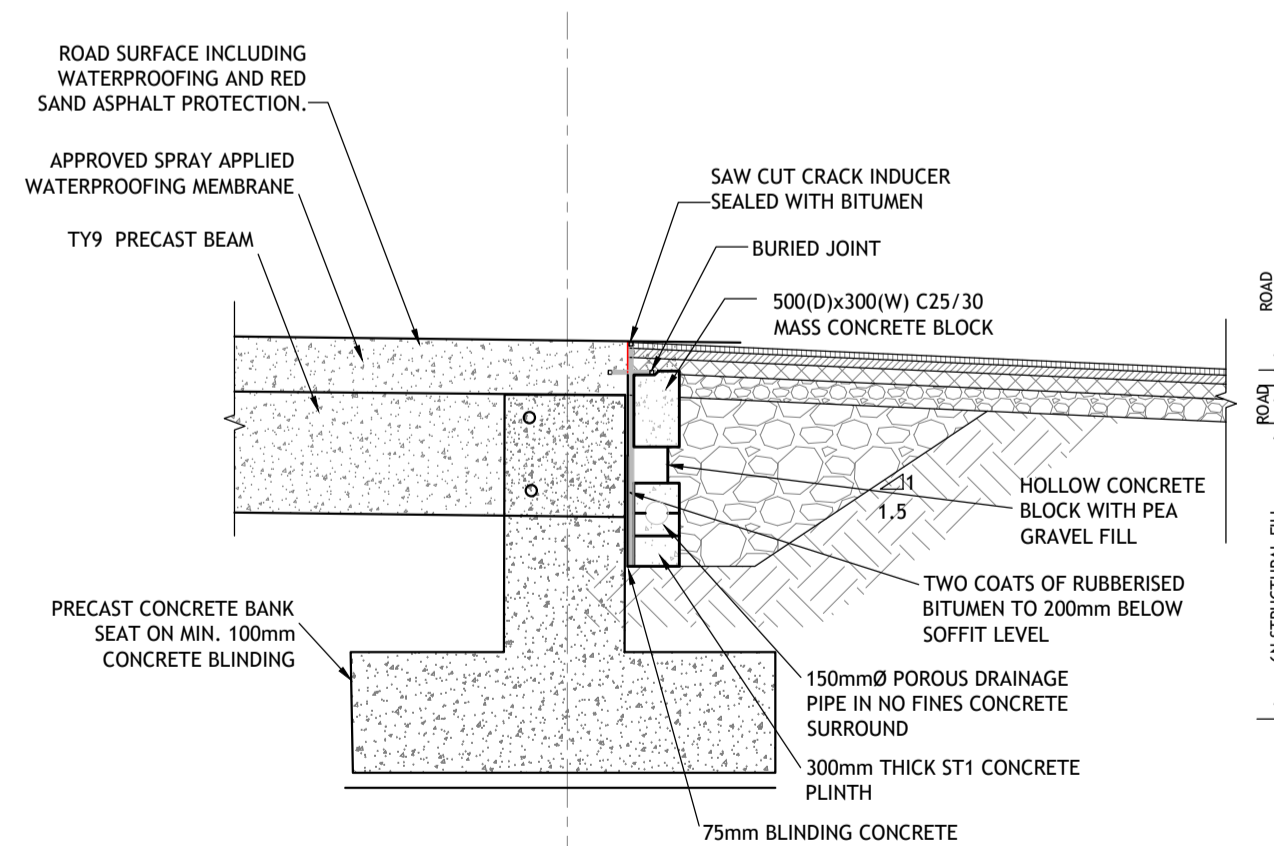
APPROACH WINGWALL PART PLAN
SCALE 1:100



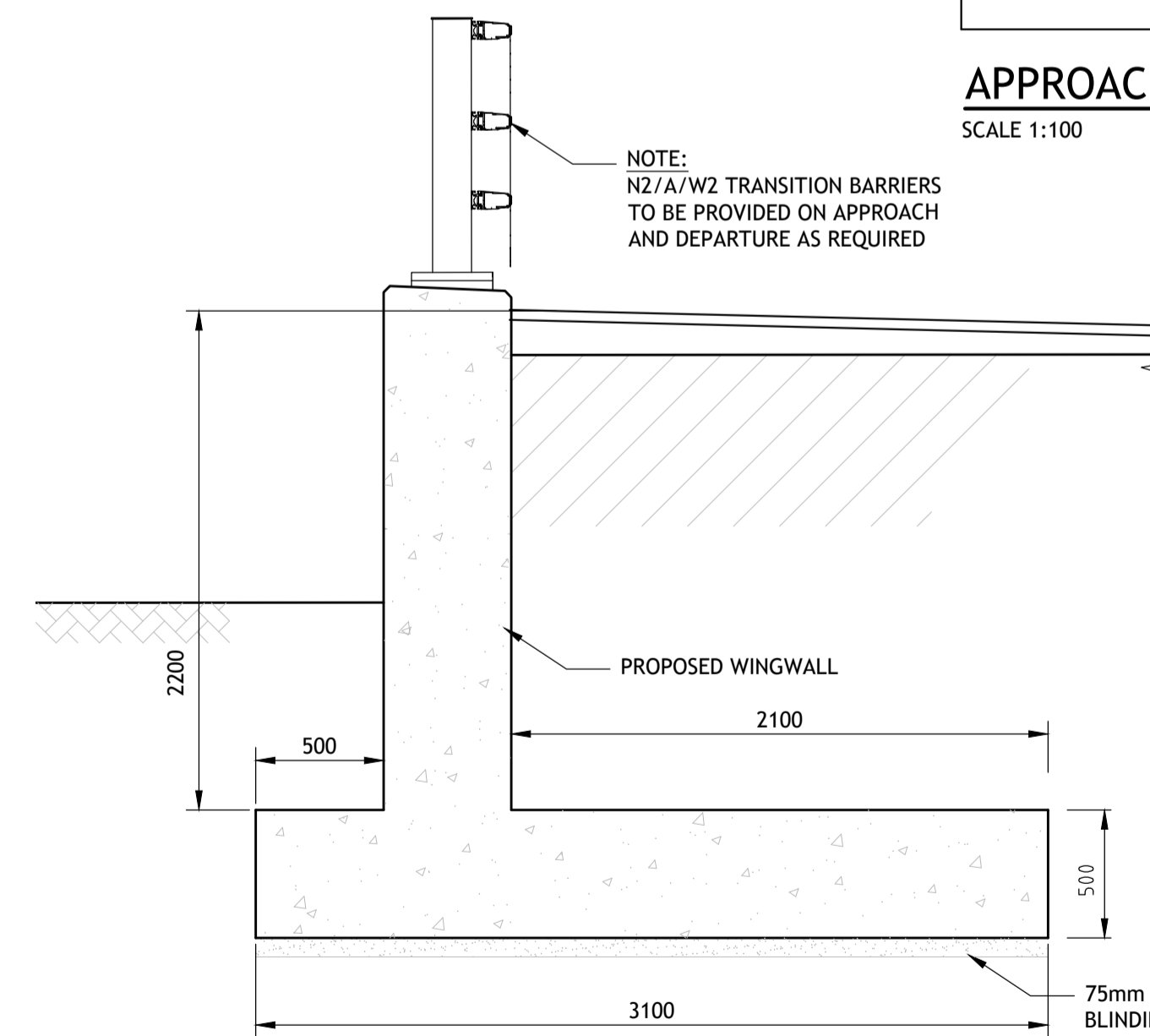
TY2 BEAM - ADDITIONAL DETAILS
SCALE 1:10



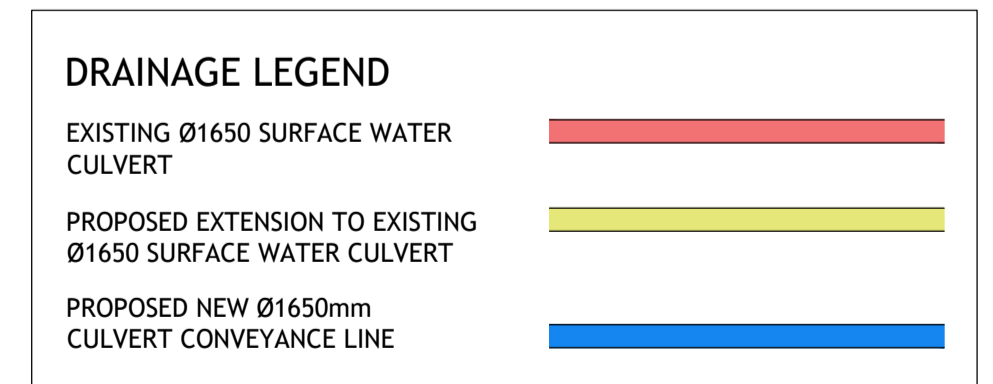
TYE2 BEAM - ADDITIONAL DETAILS
SCALE 1:10



TYPICAL SECTION THROUGH ABUTMENT
SCALE 1:50



TYPICAL SECTION THROUGH APPROACH WINGWALL
SCALE 1:25



NOTES:
1. DRAWING TO BE READ IN CONJUNCTION WITH ALL OTHER RELEVANT ARCHITECTS AND ENGINEERS DRAWINGS AND SPECIFICATIONS.
2. DO NOT SCALE USE FIGURED DIMENSIONS ONLY.

© Punch Consulting Engineers
This drawing and any design hereon is the copyright of the Consultants and must not be reproduced without their written consent.
All drawings remain the property of the Consultants.
Figured dimension only to be taken from this drawing.
Consultants to be informed immediately of any discrepancies before work proceeds.

| | |
|--------------|---------------|
| Date Drawn: | FEBRUARY 2019 |
| Drawn By: | IBS |
| Date Issued: | 2021-03-01 |
| Issued By: | IBS |

| Rev | Amendment | By | Date |
|-----|----------------|-----|------------|
| PL0 | PLANNING ISSUE | IBS | 2022/03/28 |
| | | | |
| | | | |
| | | | |

Client:
1 CARRICKMINES LAND LTD.

Job: PRIORSLAND CHERRYWOOD SHD
Title: PROPOSED DETAILS - EASTERN BRIDGE OVER FLOOD CONTAINMENT ZONE - PERMANENT PROPOSAL
Stage: PLANNING
Scale @ A1: AS SHOWN
Technician Check: IBS
Engineer Check: PC
Approved:
Drawing No:
Rev:
PUNCH consulting engineers
Dublin | Limerick | Cork | Galway | Glasgow
Carnegie House, Library Road, Dun Laoghaire, Co. Dublin, A96 C7W7
IRL: +353 1 271 2200 www.punchconsulting.com
182-186-056 PL0